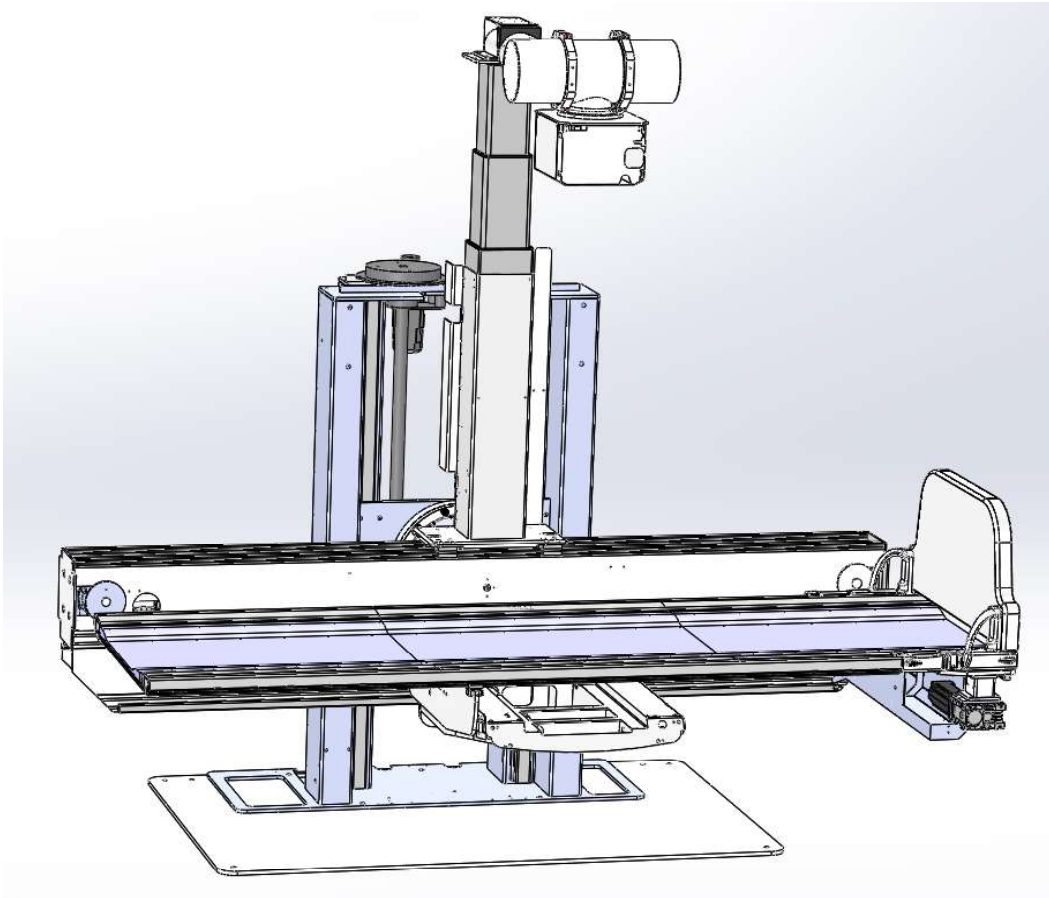


Dynamic FEA Analysis on "Discovery RF 180"



Customer:



General Medical Merate S.p.A.

via Partigiani, 25 - 24068 Seriate (BG)

Calculation Report

04					
03					
02					
01	18-07-2019	Second Issue	p.i. Eugenio	Ing. Angelo Poletti	
0	24-06-2019	First issue	Ing. Angelo Poletti	Pi Eugenio Cortiana	-
Rev.	Date	Issue Description	Prepared by	Verified by	Approved by

Summary

General Medical Merate S.p.A.	1
1) Description and Scopes	10
2) Bibliographic references	11
3) Materials.....	11
3.1) Materials Assignments	11
4) Spectrum analysis for the 0° configuration	15
5) Set up FEA model 0° configuration.....	18
5.1) MESH in 0° configuration.....	20
5.2) Pre-stress Analysis in 0° Configuration.....	22
5.3) Modal Analysis in 0° configuration.....	24
5.4) Spectrum Analysis for 0° Configuration.....	25
6) Set up FEA model 0° configuration with support column for RX Tube positioned on the right and Serigraphy in Central Position	37
6.1) MESH in 0° configuration, with support column for RX Tube Position on the Right	40
6.2) Pre-stress Analysis in 0° Configuration.....	43
6.3) Modal Analysis in 0° configuration.....	45
6.4) Spectrum Analysis for 0° Configuration emitter on right.....	45
7) Set up FEA model 0° configuration with support column for RX Tube and Serigraphy positioned on the right position.	56
7.1) MESH in 0° configuration, with support column for RX Tube and Serigraphy positioned on the right position.....	59
7.2) Pre-stress Analysis in 0° Configuration with support column for RX Tube and Serigraphy positioned on the right position.....	63
7.3) Modal Analysis in 0° configuration with support column for RX Tube and Serigraphy positioned on the right position.	65
7.4) Spectrum Analysis for 0° Configuration with support column for RX Tube and Serigraphy positioned on the right position.....	66
8) Set up FEA model 90° configuration.....	76
8.1) MESH in 90° configuration.....	79
8.2) Pre-stress Analysis in 90° Configuration.....	81
8.3) Modal Analysis in 90° configuration.....	83
8.4) Spectrum Analysis for 90° Configuration.....	84
9) Set up FEA model 30° configuration.....	94
9.1) MESH in 30° configuration.....	97
9.2) Pre-stress Analysis in 30° Configuration.....	99
9.3) Modal Analysis in 30° configuration.....	101
9.4) Spectrum Analysis for 30° Configuration.....	102

10) Set up FEA model -30° configuration.....	114
10.1) MESH in 0° configuration.....	117
10.2) Pre-stress Analysis in 30° Configuration.....	119
10.3) Modal Analysis in -30° configuration.....	122
10.4) Spectrum Analysis for -30° Configuration	122

Figure List

Fig. 1: Materials Assignments general.....	11
Fig. 2: Aluminium Assignments.....	12
Fig. 3: PVC Assignments for bed's guidance	12
Fig. 4: 30NiCrMo8 Assignment for the guides and rollers.....	13
Fig. 5: Carbon Fiber Assignment for the bed	13
Fig. 6: GJS-400-15 Assignment for the main bracket	14
Fig. 7: Structural Steel.....	14
Fig. 8: S235JRG2.....	15
Fig. 9 : Excerpt from AC 156	15
Fig. 10 : Excerpt from AC 156	16
Fig. 11 : Machine 3D model in 0° configuration	19
Fig. 12 : Mesh in 0° Configuration	20
Fig. 13: Mesh detail 1 in 0° Conf.....	21
Fig. 14 : Mesh Detail 2 in 0° Conf.....	21
Fig. 15: Mesh Detail 3 in 0° Conf.	22
Fig. 16 : Deformation for pre-stress analysis in 0° conf.....	23
Fig. 17 : Von Mises distribution in 3D model under Pre-stress configuration at 0°	24
Fig. 18 : Modal frequencies for 0° configuration.....	25
Fig. 19 : Total deformation for spectrum analysis in 0° conf.....	26
Fig. 20 : Von Mises stresses for Spectrum Analysis in 0° conf.....	27
Fig. 21 : Isocapped Surface at 200MPa in detector frame	28
Fig. 22 : Isocapped Surface at 204MPa in main bracket.....	29
Fig. 23 : Von Mises stresses for the detector's supporting shoulder in 0° conf.....	30
Fig. 24 : IsoCapped for detector's supporting shoulder at 0° conf. at 200 MPa	30
Fig. 25 : Isocapped Von Mises stresses for internal Pin in 0° conf. at 500MPa	31
Fig. 26 : Isocapped Von Mises stresses for external Pin in 0° conf. at 500MPa	31
Fig. 27 : Grashof criteria $S1-0.26*(S2+S3)$ for Main Bracket in 0° conf.	32
Fig. 28 : IsoCapped for Grashof criteria $S1-0.26*(S2+S3)$ for Main Bracket in 0° conf. at 250 MPa	33
Fig. 29 : Von Mises stresses for Pinion A in 0° conf.....	34

Fig. 30 : Von Mises stresses for Pinion B in 0° conf.	35
Fig. 31 : Total Acceleration for 0° conf.	36
Fig. 32: 3D Model configuration with support column for RX Tube positioned on the right and Seriography in Central Position	37
Fig. 33: 3D Model configuration with support column for RX Tube positioned on the right and Seriography in Central Position	38
Fig. 34: 3D Model configuration with support column for RX Tube positioned on the right and Seriography in Central Position	39
Fig. 35 : Mesh configuration with support column for RX Tube positioned on the right and Seriography in Central Position	40
Fig. 36: Mesh detail 1 configuration with support column for RX Tube positioned on the right and Seriography in Central Position	41
Fig. 37 : Mesh Detail 2 configuration with support column for RX Tube positioned on the right and Seriography in Central Position	42
Fig. 38: Mesh Detail 3 configuration with support column for RX Tube positioned on the right and Seriography in Central Position	42
Fig. 39 : Deformation for pre-stress analysis in 0° conf. with support column for RX Tube positioned on the right and Seriography in Central Position	43
Fig. 40 : Von Mises distribution in 3D model under Pre-stress configuration in 0° with support column for RX Tube positioned on the right and Seriography in Central Position	44
Fig. 41 : Modal frequencies for 0° configuration with support column for RX Tube positioned on the right and Seriography in Central Position	45
Fig. 42 : Total deformation for spectrum analysis in 0° conf. with support column for RX Tube positioned on the right and Seriography in Central Position.....	46
Fig. 43 : Von Mises stresses for Spectrum Analysis in 0° conf. with support column for RX Tube positioned on the right and Seriography in Central Position.....	47
Fig. 44 : Isocapped Surface at 200MPa in detector frame in 0° conf. with support column for RX Tube positioned on the right and Seriography in Central Position	48
Fig. 45 : Isocapped Surface at 204MPa in main bracket in 0° conf. with support column for RX Tube positioned on the right and Seriography in Central Position	49
Fig. 46 : Von Mises stresses for the detector's supporting shoulder in 0° conf. with support column for RX Tube positioned on the right and Seriography in Central Position	50
Fig. 47 : IsoCapped for detector's supporting shoulder at 0° conf. at 200 MPa in 0° conf. with support column for RX Tube positioned on the right and Seriography in Central Position	51
Fig. 48 : Isocapped Von Mises stresses for internal Pin at 500MPa in 0° conf. with support column for RX Tube positioned on the right and Seriography in Central Position	52
Fig. 49 : Isocapped Von Mises stresses for external Pin at 500MPa in 0° conf. with support column for RX Tube positioned on the right and Seriography in Central Position	52
Fig. 50 : Grashof criteria $S1-0.26*(S2+S3)$ for Main Bracket in 0° conf. with support column for RX Tube positioned on the right and Seriography in Central Position	53
Fig. 51 : IsoCapped for Grashof criteria $S1-0.26*(S2+S3)$ for Main Bracket in 0° conf. with support column for RX Tube positioned on the right and Seriography in Central Position	54

Fig. 52 : Total Acceleration for 0° conf. with support column for RX Tube positioned on the right and Serigraphy in Central Position	55
Fig. 53: Machine 3D model in 0° configuration with support column for RX Tube and Serigraphy positioned on the right position.	56
Fig. 54: Machine 3D model in 0° configuration with support column for RX Tube and Serigraphy positioned on the right position.	57
Fig. 55: Machine 3D model in 0° configuration with support column for RX Tube and Serigraphy positioned on the right position.	58
Fig. 56 : Mesh in 0° Configuration with support column for RX Tube and Serigraphy positioned on the right position.	59
Fig. 57: Mesh detail 1 in 0° Conf. with support column for RX Tube and Serigraphy positioned on the right position.	60
Fig. 58 : Mesh Detail 2 in 0° Conf. with support column for RX Tube and Serigraphy positioned on the right position.	61
Fig. 59: Mesh Detail 3 in 0° Conf. with support column for RX Tube and Serigraphy positioned on the right position.	62
Fig. 60 : Deformation for pre-stress analysis in 0° conf. with support column for RX Tube and Serigraphy positioned on the right position.	63
Fig. 61 : Von Mises distribution in 3D model under Pre-stress configuration at 0° with support column for RX Tube and Serigraphy positioned on the right position.	64
Fig. 62 : Modal frequencies for 0° configuration with support column for RX Tube and Serigraphy positioned on the right position.	65
Fig. 63 : Total deformation for spectrum analysis in 0° conf. with support column for RX Tube and Serigraphy positioned on the right position.	66
Fig. 64 : Von Mises stresses for Spectrum Analysis in 0° conf. with support column for RX Tube and Serigraphy positioned on the right position.	67
Fig. 65 : Isocapped Surface at 200MPa in detector frame with support column for RX Tube and Serigraphy positioned on the right position.	68
Fig. 66 : Isocapped Surface at 200MPa in main bracket with support column for RX Tube and Serigraphy positioned on the right position.	69
Fig. 67 : Von Mises stresses for the detector's supporting shoulder in 0° conf. with support column for RX Tube and Serigraphy positioned on the right position.	70
Fig. 68 : IsoCapped for detector's supporting shoulder at 0° conf. at 200 MPa with support column for RX Tube and Serigraphy positioned on the right position.	71
Fig. 69 : Isocapped Von Mises stresses for internal Pin in 0° conf. with support column for RX Tube and Serigraphy positioned on the right position. at 500MPa	72
Fig. 70 : Isocapped Von Mises stresses for external Pin in 0° conf. with support column for RX Tube and Serigraphy positioned on the right position. at 500MPa	72
Fig. 71 : Grashof criteria $S1-0.26*(S2+S3)$ for Main Bracket in 0° conf. with support column for RX Tube and Serigraphy positioned on the right position.	73
Fig. 72 : IsoCapped for Grashof criteria $S1-0.26*(S2+S3)$ for Main Bracket in 0° conf. with support column for RX Tube and Serigraphy positioned on the right position. at 310 MPa	74

Fig. 73 : Total Acceleration for 0° conf. with support column for RX Tube and Seriography positioned on the right position.....	75
Fig. 74 : Machine 3D model in 90° configuration	78
Fig. 75 : Mesh in 90° Configuration	79
Fig. 76: Mesh detail 1 in 90° Conf.....	80
Fig. 77 : Mesh Detail 2 in 90° Conf.....	80
Fig. 78: Mesh Detail 3 in 90° Conf.	81
Fig. 79 : Deformation for pre-stress analysis in 90° conf.....	82
Fig. 80 : Von Mises distribution in 3D model under Pre-stress configuration at 90°	83
Fig. 81 : Modal frequencies for 90° configuration.....	84
Fig. 82 : Total deformation for spectrum analysis in 90° conf.....	85
Fig. 83 : Von Mises stresses for Spectrum Analysis in 90° conf.....	86
Fig. 84 : Isocapped Surface at 200MPa in 90°configuration.....	87
Fig. 85 : Isocapped Surface at 204MPa in main bracket.....	88
Fig. 86 : Von Mises stresses for the detector’s supporting shoulder in 90° conf.	89
Fig. 87 : Isocapped Von Mises stresses for internal Pin in 90° conf. at 500MPa.....	90
Fig. 88 : Isocapped Von Mises stresses for external Pin in 90° conf. at 500MPa	90
Fig. 89 : Grashof criteria $S1-0.26*(S2+S3)$ for Main Bracket in 90° conf.	91
Fig. 90 : IsoCapped for Grashof criteria $S1-0.26*(S2+S3)$ for Main Bracket in 90° conf. at 300 MPa	92
Fig. 91: Total Acceleration for 90° conf.	93
Fig. 92: Machine 3D model in -30° configuration.....	94
Fig. 93: Machine -3D model in -30° configuration.....	95
Fig. 94: Machine -3D model in -30° configuration.....	96
Fig. 95 : Mesh in -30° Configuration	97
Fig. 96: Mesh detail 1 in 30° Conf.....	98
Fig. 97 : Mesh Detail 2 in 30° Conf.....	98
Fig. 98: Mesh Detail 3 in 30° Conf.	99
Fig. 99 : Deformation for pre-stress analysis in 30° conf.....	100
Fig. 100 : Von Mises distribution in 3D model under Pre-stress configuration at 30°	101
Fig. 101 : Modal frequencies for 30° configuration.....	102
Fig. 102 : Total deformation for spectrum analysis in 30° conf.....	103
Fig. 103 : Von Mises stresses for Spectrum Analysis in 30° conf.....	104
Fig. 104 : Isocapped Surface at 200MPa in detector frame	105
Fig. 105 : Isocapped Surface at 204MPa in main bracket.....	106
Fig. 106 : Von Mises stresses for the detector’s supporting shoulder in 30° conf.....	107
Fig. 107 : IsoCapped for detector’s supporting shoulder at 30° conf. at 200 MPa	107
Fig. 108 : Isocapped Von Mises stresses for internal Pin in 30° conf. at 500MPa.....	108

Fig. 109 : Isocapped Von Mises stresses for external Pin in 30° conf. at 500MPa	108
Fig. 110 : Grashof criteria $S1-0.26*(S2+S3)$ for Main Bracket in 30° conf.	109
Fig. 111: Grashof criteria $S1-0.26*(S2+S3)$ for Main Bracket in 30° conf.	110
Fig. 112 : IsoCapped for Grashof criteria $S1-0.26*(S2+S3)$ for Main Bracket in 30° conf. at 250 MPa	111
Fig. 113: IsoCapped for Grashof criteria $S1-0.26*(S2+S3)$ for Main Bracket in 30° conf. at 250 MPa	112
Fig. 114 : Total Acceleration for 30° conf.	113
Fig. 115: Machine --3D model in 30° configuration.....	114
Fig. 116: Machine --3D model in 30° configuration.....	115
Fig. 117 Machine -3D model in -30° configuration.....	116
Fig. 118 : Mesh in -30° Configuration	117
Fig. 119: Mesh detail 1 in --30° Conf.	118
Fig. 120 : Mesh Detail 2 in --30° Conf.	119
Fig. 121: Mesh Detail 3 in -30° Conf.	119
Fig. 122 : Deformation for pre-stress analysis in -30° conf.	120
Fig. 123 : Von Mises distribution in 3D model under Pre-stress configuration at -30°	121
Fig. 124 : Modal frequencies for -30° configuration	122
Fig. 125 : Total deformation for spectrum analysis in -30° conf.	123
Fig. 126 : Von Mises stresses for Spectrum Analysis in -30° conf.	124
Fig. 127 : Isocapped Surface at 200MPa in detector frame	125
Fig. 128 : Isocapped Surface at 204MPa in main bracket.....	126
Fig. 129 : Von Mises stresses for the detector's supporting shoulder in -30° conf.....	127
Fig. 130 : IsoCapped for detector's supporting shoulder at -30° conf. at 200 MPa	127
Fig. 131 : Isocapped Von Mises stresses for internal Pin in -30° conf. at 500MPa	128
Fig. 132: Isocapped Von Mises stresses for external Pin in -30° conf. at 500MPa.....	128
Fig. 133 : Grashof criteria $S1-0.26*(S2+S3)$ for Main Bracket in -30° conf.	129
Fig. 134: Grashof criteria $S1-0.26*(S2+S3)$ for Main Bracket in -30° conf.	130
Fig. 135 : IsoCapped for Grashof criteria $S1-0.26*(S2+S3)$ for Main Bracket in -30° conf. at 250 MPa	131
Fig. 136: IsoCapped for Grashof criteria $S1-0.26*(S2+S3)$ for Main Bracket in -30° conf. at 250 MPa.....	132
Fig. 137 : Total Acceleration for -30° conf.	133

Table List

Tab. 1 : Acceleration's spectrum data	16
---	----

Annexes

Annex (A) Materials

Annex (B) Overall dimensions drawings

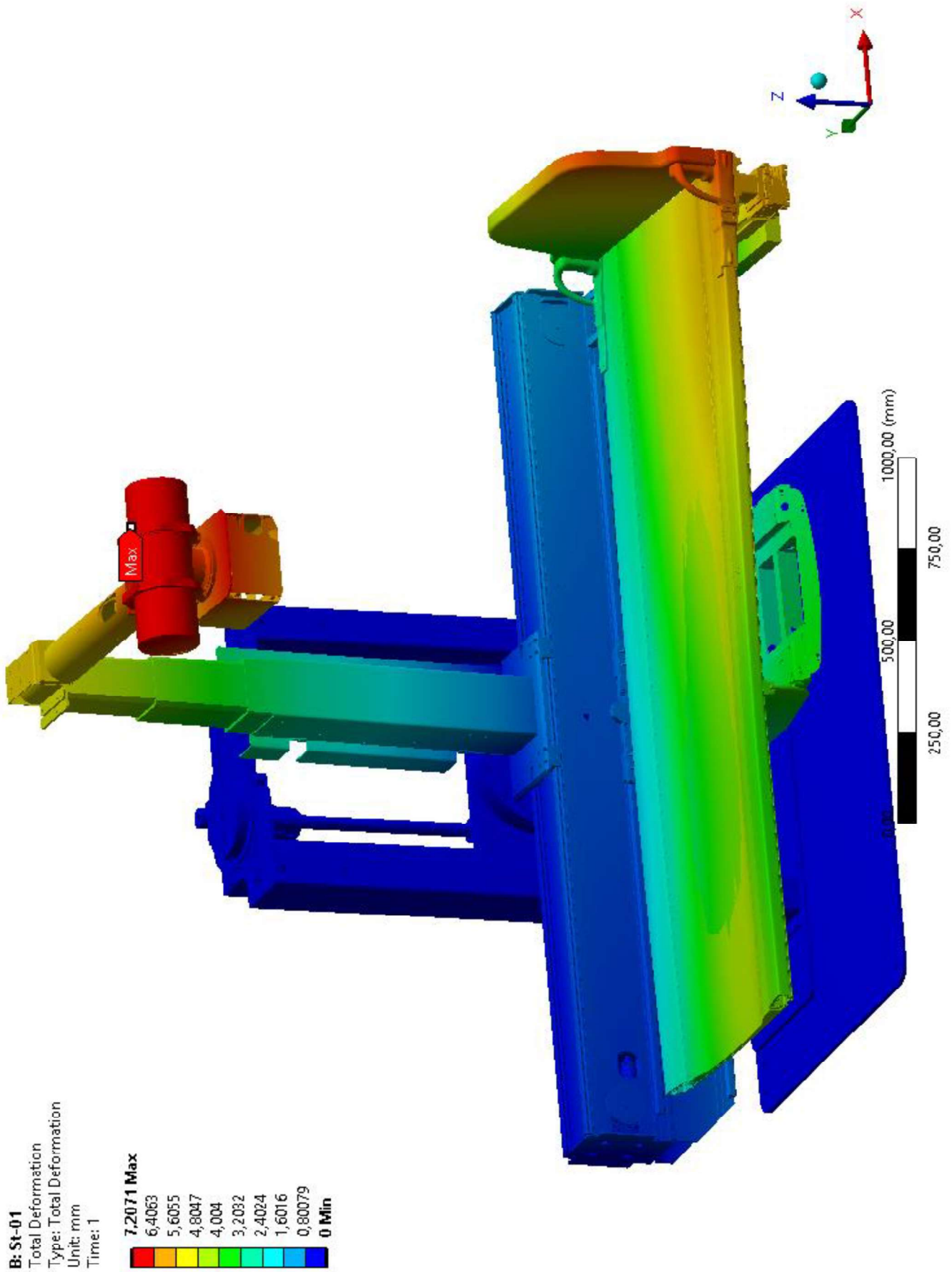


Fig. 16 : Deformation for pre-stress analysis in 0° conf.

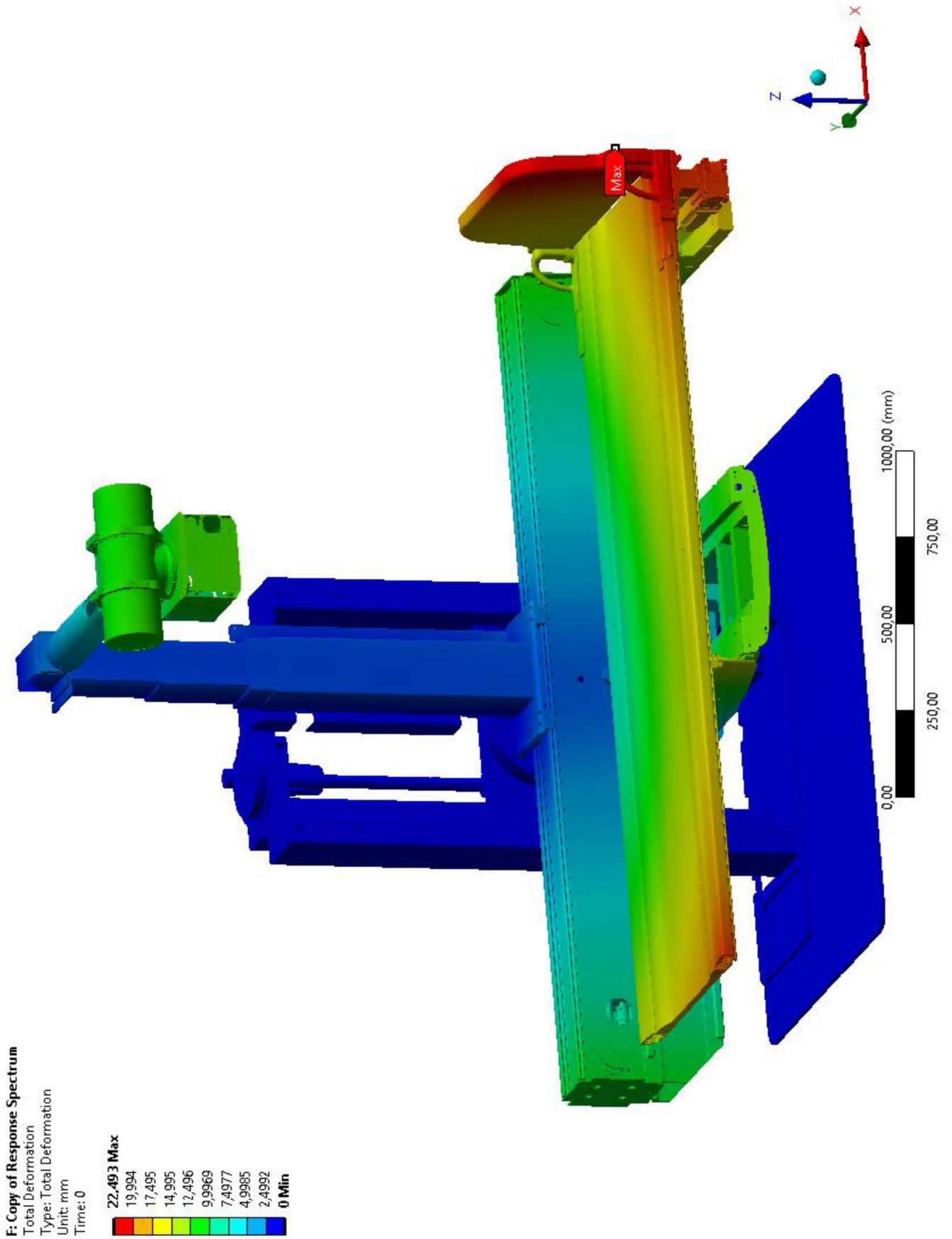


Fig. 19 : Total deformation for spectrum analysis in 0° conf.

E: Response Spectrum

CRIT_GRASHOF-1

Expression: $S1-0.26*(S2+S3)$

Unit: MPa

Time: 0

16/07/2019 17:28

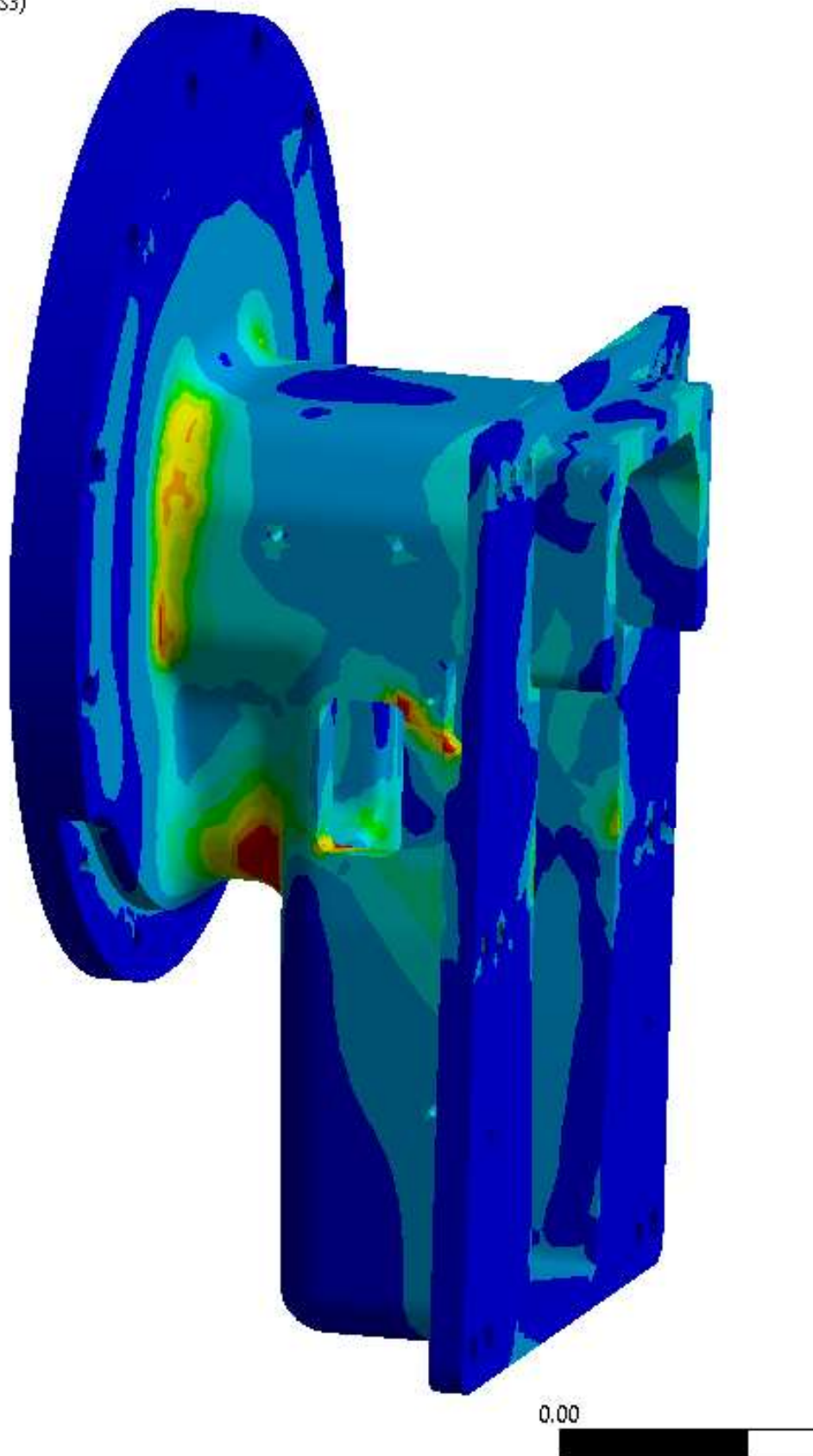
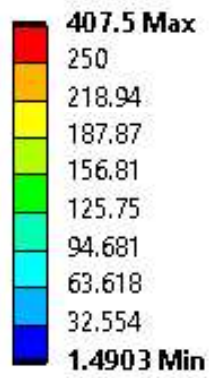


Fig. 27 : Grashof criteria $S1-0.26*(S2+S3)$ for Main Bracket in 0° conf.

F: Copy of Response Spectrum

vMises_Pignone_2
Type: Equivalent Stress
Unit: MPa
Time: 0
16/07/2019 17:22

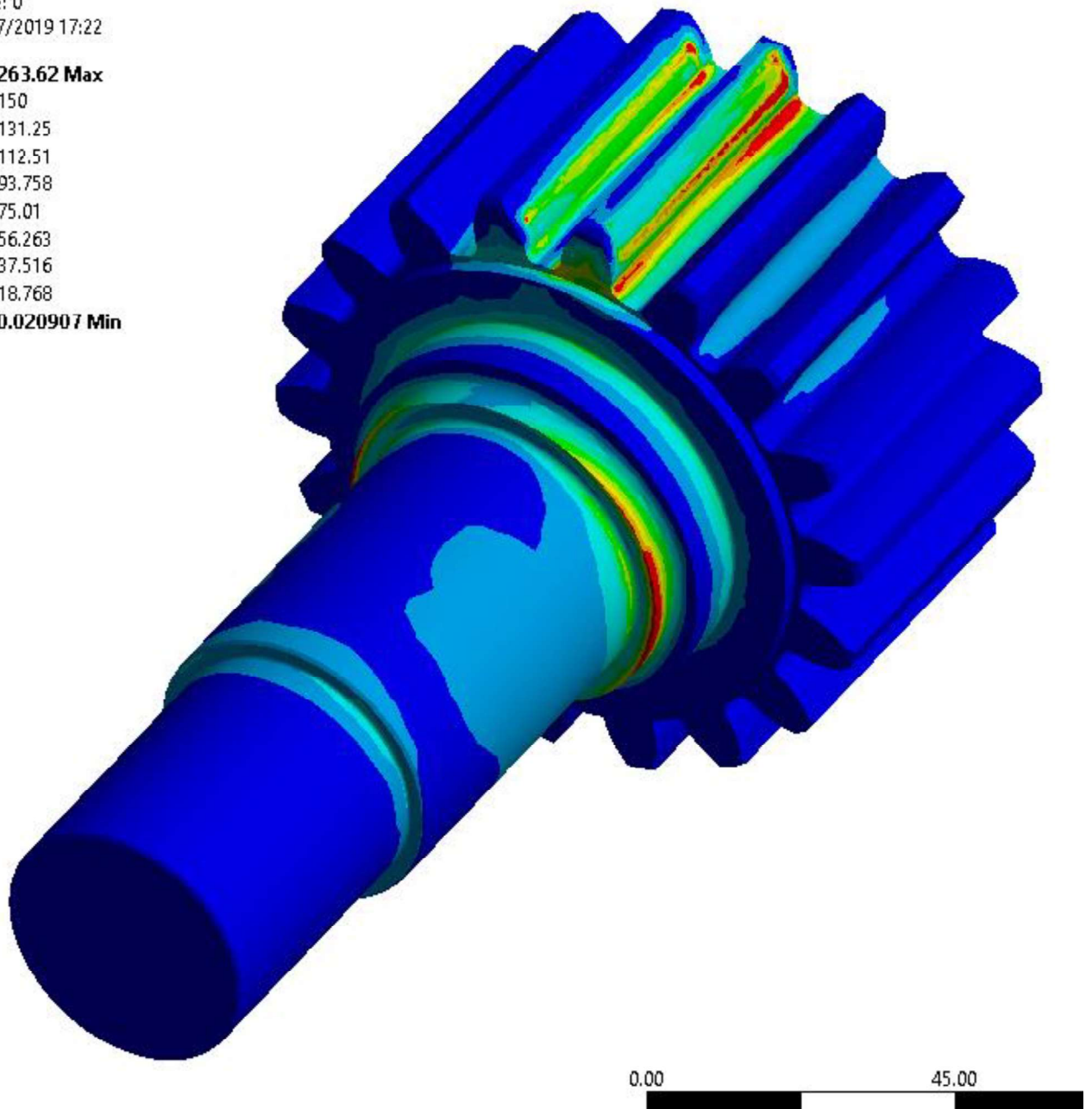
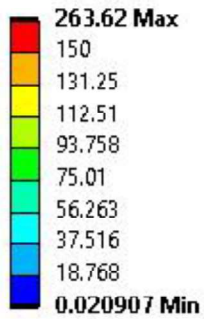


Fig. 29 : Von Mises stresses for Pinion A in 0° conf.

D: Response Spectrum
Total Deformation
Type: Total Deformation
Unit: mm
Time: 0

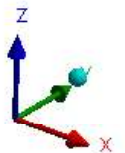
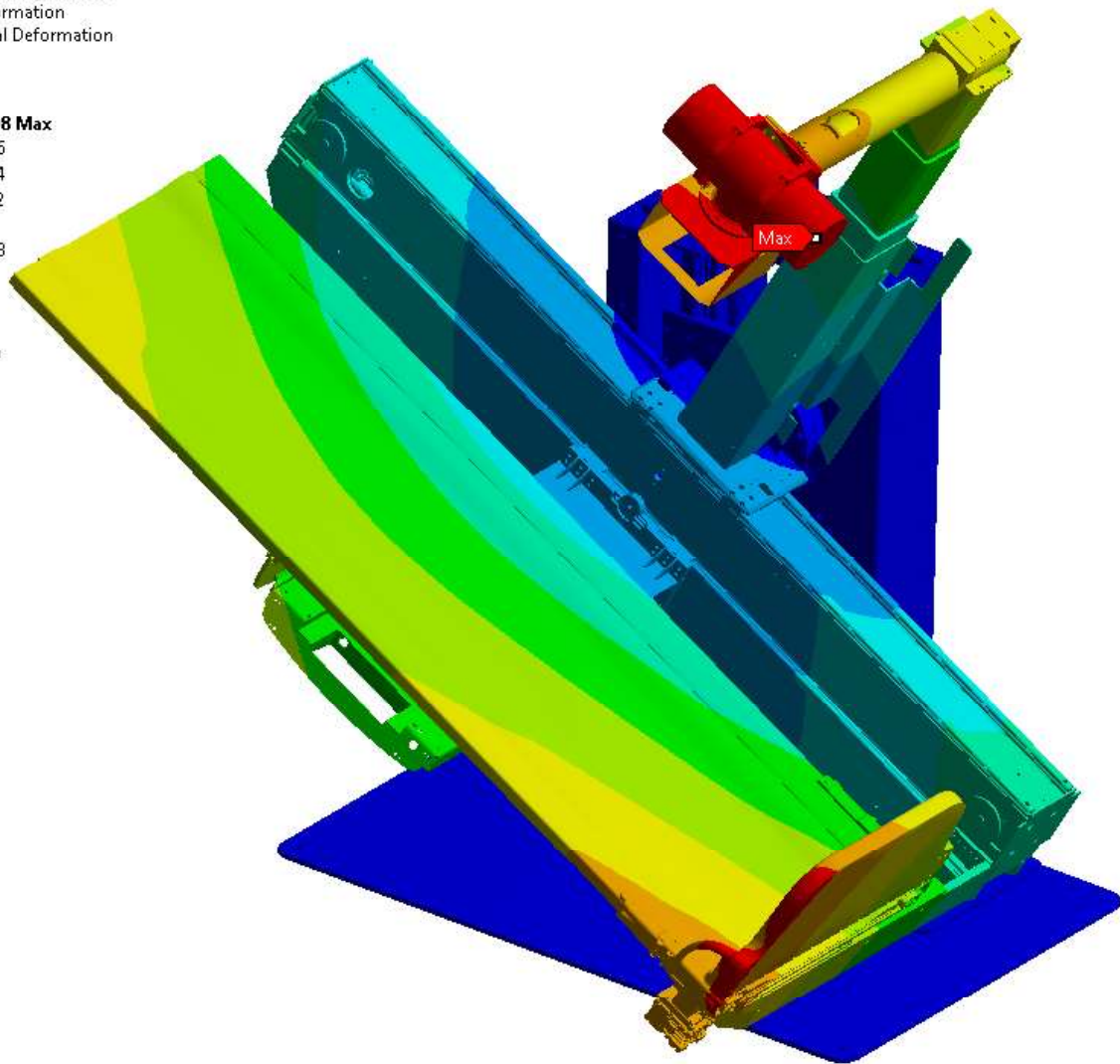
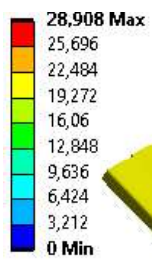


Fig. 102 : Total deformation for spectrum analysis in 30° conf.

D: Response Spectrum

Equivalent Stress
Type: Equivalent Stress
Unit: MPa
Time: 0

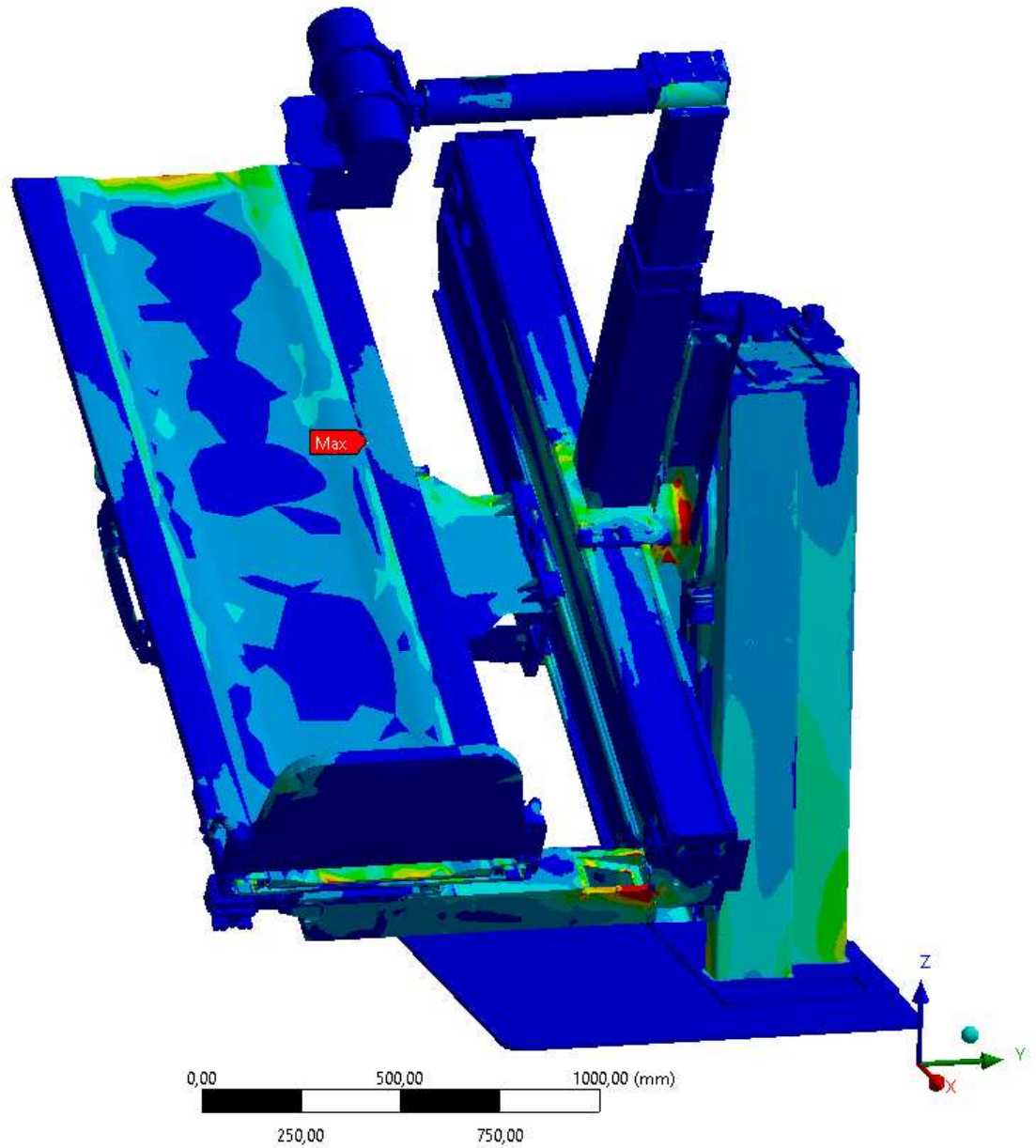
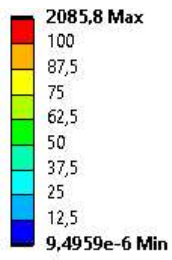


Fig. 103 : Von Mises stresses for Spectrum Analysis in 30° conf.

B: St-01
Total Deformation
Type: Total Deformation
Unit: mm
Time: 1

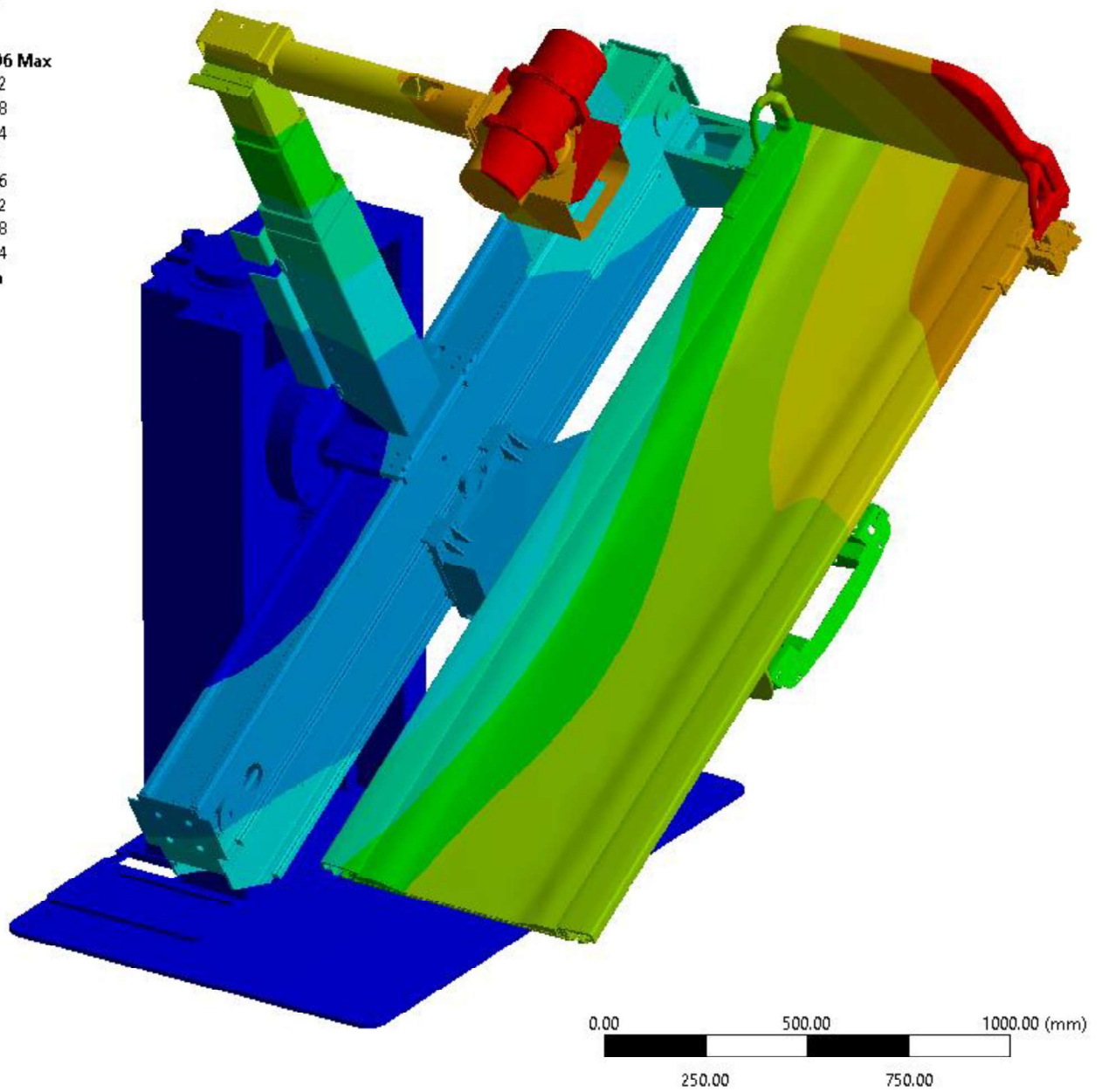
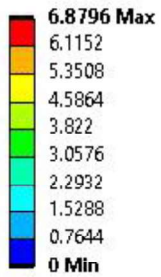


Fig. 122 : Deformation for pre-stress analysis in -30° conf.

B: St-01

Equivalent Stress
Type: Equivalent (von-Mises) Stress
Unit: MPa
Time: 1

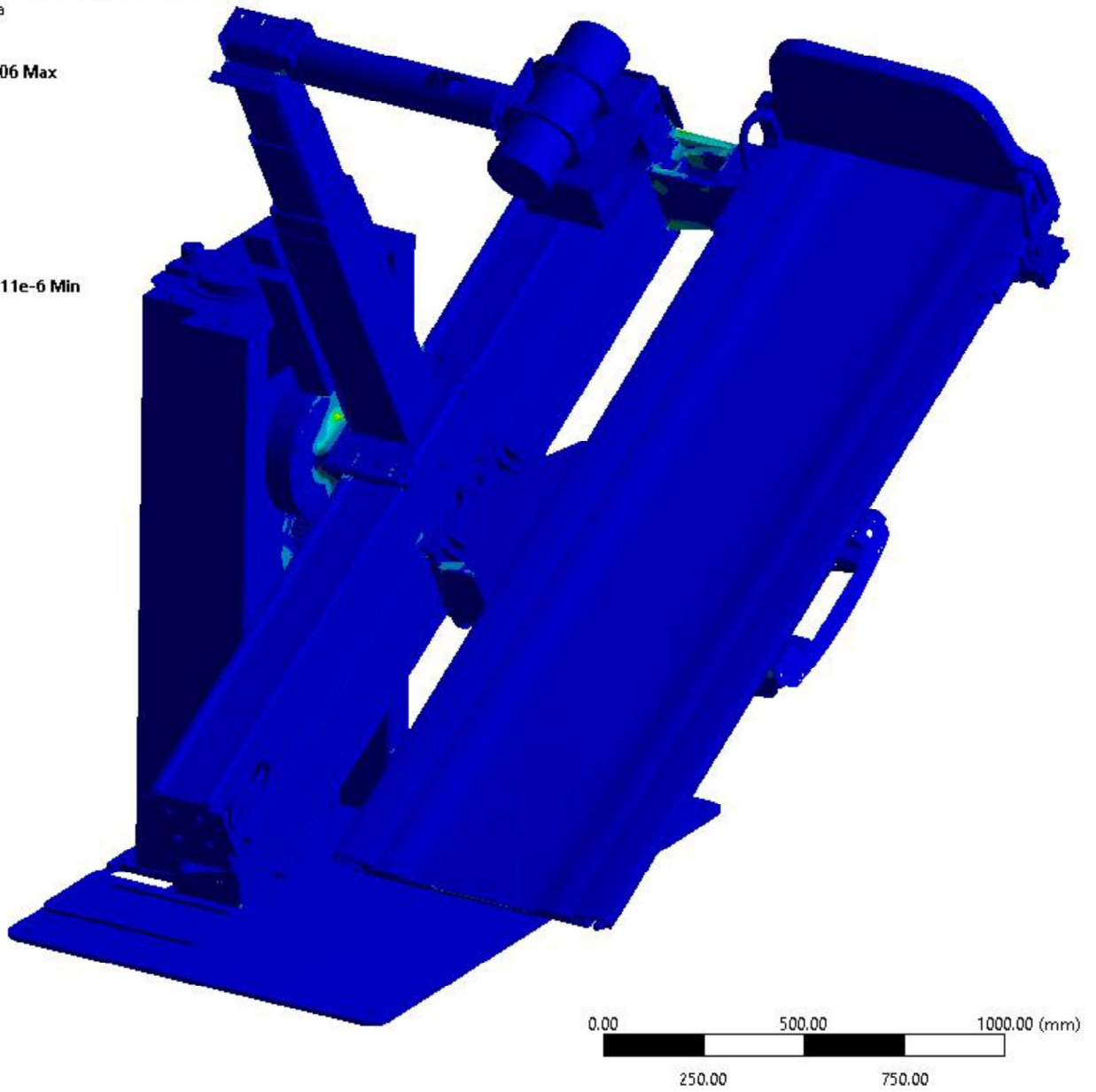
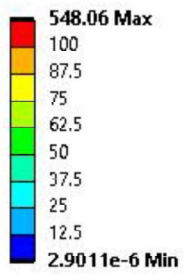


Fig. 123 : Von Mises distribution in 3D model under Pre-stress configuration at -30°